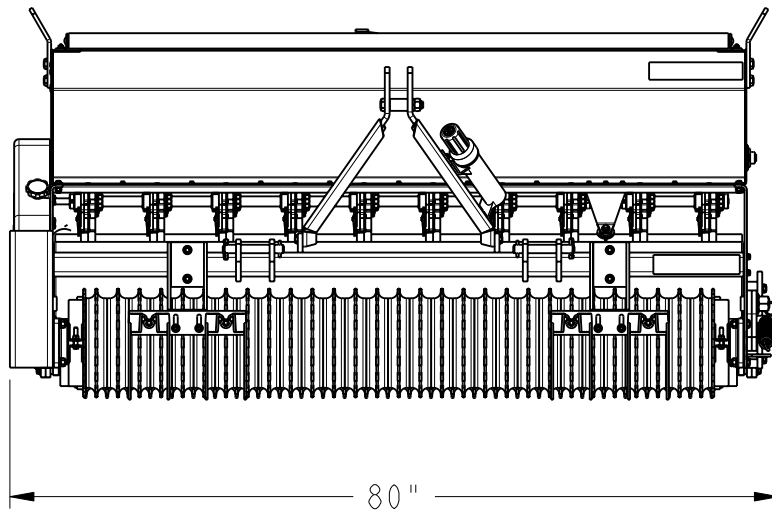


Model PS1572

| Specifications & Capacities | |
|----------------------------------|--|
| Tractor Horsepower | 25-60 Horsepower |
| Seeding Width (Broadcast) | 70 1/2" |
| Overall Width | 79 1/8" |
| Overall Height | 38 7/8" |
| Overall Length | 29 3/4" |
| Empty Weight | 1165# |
| Seedbox Capacity | 1 Bushel/Foot (6 bushel) |
| 3-Point Tractor Hitch | Category 1; Quick Hitch Adaptable |
| Main Seedbox Construction | Continuous welded for water tight construction |
| Lid construction | Heavy duty precision fit with seed splash guard |
| Ground Drive Metering | Driven from right side of front roller with #40 Roller chain |
| Seed Cup Drive | Chain Driven from right side of front roller |
| Seed Cup Agitation | Chain driven paddle type agitators above seed cups |
| Seed Cups | 10 Fluted cups for Accurate Metering |
| Seed Settings | Wide range of calibration |
| Seed Drop | Wind guarded |
| Track Removers | Double torsion spring height adjustable and replaceable Two each |
| Bed Forming Front Packer Rollers | 12" OD notched, cast iron, 29 each with free floating mounting tube and 1 1/2" sealed greasable bearings |
| Rear Packer Rollers | 9 1/2" OD notched, cast iron, 30 each with free floating mounting tube and 1" greasable bearing mounted on pivoting spring loaded arms |



21496

