



For Earth, For Life
Kubota

SSV

KUBOTA SKID STEER LOADER SSV65/SSV75

Excellent power and exceptional operator comfort bring new levels of performance and productivity to Kubota's SSV-Series Skid Steer Loaders.



Taking performance to all new levels of comfort and efficiency



Outstanding performance, exceptional comfort, easy maintenance, and excellent durability make Kubota's new Skid Steer Loaders the clear choice for the job.

- Outstanding performance
- Exceptional comfort
- Easy maintenance

SSV65

Engine HP Gross (SAE J 1995): 64.0 hp (47.7 kW)
Rated operating capacity (50% of tipping load):
1950 lbs. (885 kg)
Bucket breakout force: 4839 lbs. (2195 kg)
Operating weight: 6790 lbs. (3080 kg)

SSV75

Engine HP Gross (SAE J 1995): 74.3 hp (55.4 kW)
Rated operating capacity (50% of tipping load):
2690 lbs. (1220 kg)
Bucket breakout force: 5884 lbs. (2669 kg)
Operating weight: 8157 lbs. (3700 kg)

SKID STEER LOADER

SSV65/SSV75



OUTSTANDING PERFORMANCE

Kubota engine

Common Rail System and Diesel Particulate Filter (DPF) Muffler

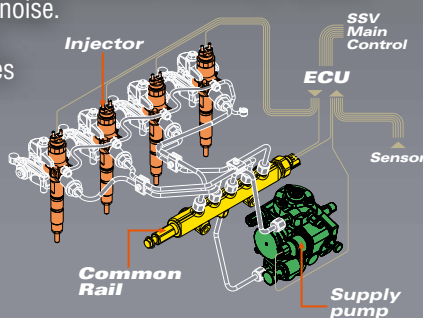
The Common Rail System (CRS) electronically controls the fuel injection timing and amount in stages rather than all at once for optimal combustion; resulting in greater efficiency, better fuel economy and less engine noise.

The combination of Exhaust Gas Re-circulation (EGR) and Diesel Particulate Filter (DPF) reduces the emissions making the SSV Series engine Tier IV certified.

● Powerful Kubota engine

The powerful and reliable Kubota-built engine gets the job done quickly and easily with 64.0 hp* (SSV65) or 74.3 hp* (SSV75).

* Engine HP Gross (SAE J 1995)



● Automatic Regeneration System

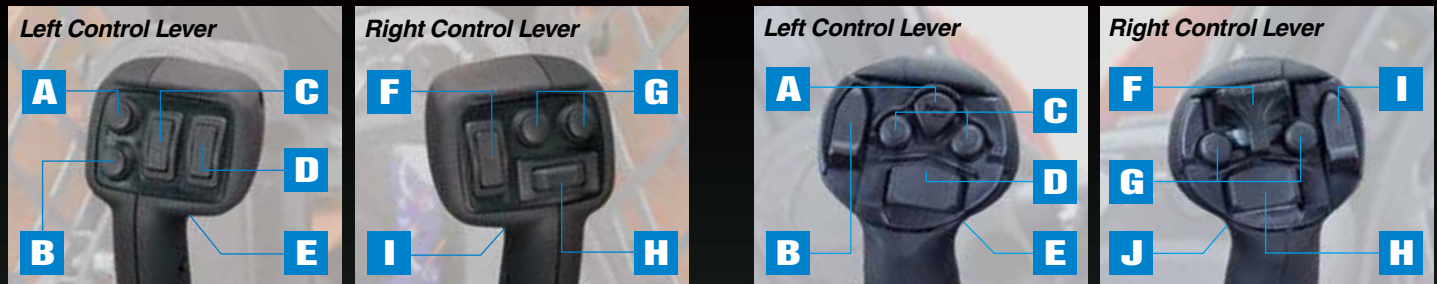
Kubota's Automatic Regeneration System burns away the soot that accumulates in the DPF muffler to keep the muffler clean and let you work longer. For safety, the automatic regeneration can be turned off when operating in fire-prone areas.



Fast and smooth operational response

Multi-function levers (optional)

The optional multi-function levers provide fingertip control of all major vehicle and attachment operations, including the main hydraulic line and three electrical lines, letting you keep both hands on the levers at all times for optimal operating efficiency.



"Hand and foot control"

- | | |
|-----------------------------------|-----------------------------|
| A. Horn | E. Travel Speed |
| B. KSR (Kubota Shockless Ride) | F. AUX3 |
| C. AUX1 | G. AUX2 |
| D. AUX Mode Change or Turn Signal | H. Proportional Aux. Switch |
| | I. AUX Hold Switch |

"ISO pilot control"

- | | |
|--------------------------------|----------------------------|
| A. Horn | F. Proportional AUX Switch |
| B. KSR (Kubota Shockless Ride) | G. AUX Hold Switch |
| C. AUX1 | H. AUX2 |
| D. AUX3 or Turn Signal | I. AUX Mode Change |
| E. Travel Speed | J. Float Switch |

● High-flow hydraulics (optional)

The optional high-flow hydraulics system can handle attachments requiring extra hydraulic power. With high-flow hydraulics, the standard hydraulic flow increases from 18.0 gpm to 28.0 gpm on the SSV65 and from 20.9 to 30.4 gpm on the SSV75.

● Dial and foot throttle

The dial throttle is ideal for jobs that require a constant engine speed, such as cold planning, trenching, and snow blowing, and conveniently located to let you change the engine speed setting while operating the levers. The foot throttle for ISO pilot control lets the operator vary engine speed for other applications.



Cooling system and variable fan

A hydraulically driven fan optimizes cooling and engine efficiency by varying the fan speed to maintain the appropriate water and oil temperatures. In cold weather the fan turns more slowly, allowing for faster engine warm-up.



● Electronic Travel Torque Management (ISO pilot control)

Electronic Travel Torque Management System lets you work faster with more power. The ECU constantly monitors the load of the machine to optimally control hydraulic pump output according to the load, preventing engine stalls for smoother operation even under severe conditions.



OUTSTANDING PERFORMANCE

Kubota's unique vertical lift design

- **Self-leveling function (optional)**

The optional self-leveling function maintains the position of the bucket or fork as the attachment is raised, eliminating the need to manually adjust the angle during this operation.



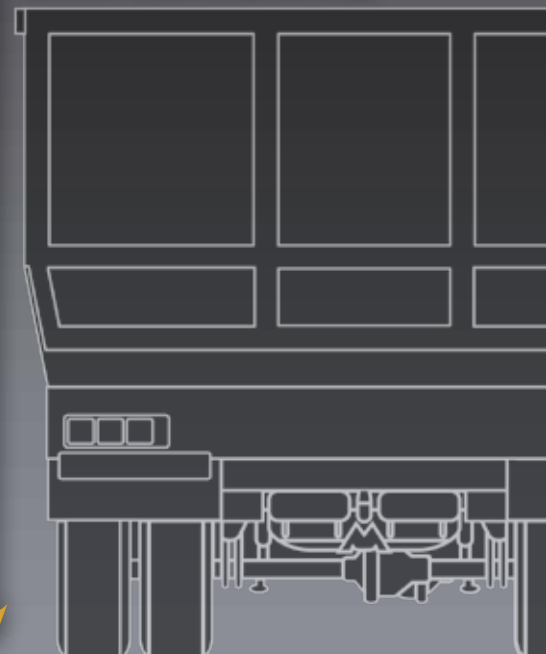
- **Long reach and high bucket hinge pin height**

Kubota's unique vertical lift design delivers an exceptionally long reach of 32.7 inches (SSV65) or 36.9 inches (SSV75). The tip of the arm is optimally shaped to provide an exceptionally high hinge-pin height of 121.5 inches (SSV65) or 128.3 inches (SSV75) for easier dumping into trucks and other lifting and dumping tasks.



SSV65:
32.7 in (831 mm)
SSV75:
36.9 in (936 mm)

SSV65: 121.5 in (3085 mm)
SSV75: 128.3 in (3258 mm)



Travel performance

With KSR on



With KSR off



1

2



3



Standard two-speed travel

Shift from low gear at 6.9 mph (SSV65) / 7.4 mph (SSV75) to high gear at 11.1 mph (SSV65) / 11.8 mph (SSV75) to get the job done faster.

1. Kubota Shockless Ride (KSR) (optional)

KSR helps minimize fatigue by “smoothing out” the ride. You’ll appreciate KSR when carrying heavy loads over rough terrain on the farm or at a construction job site.

2. Heavy duty tires

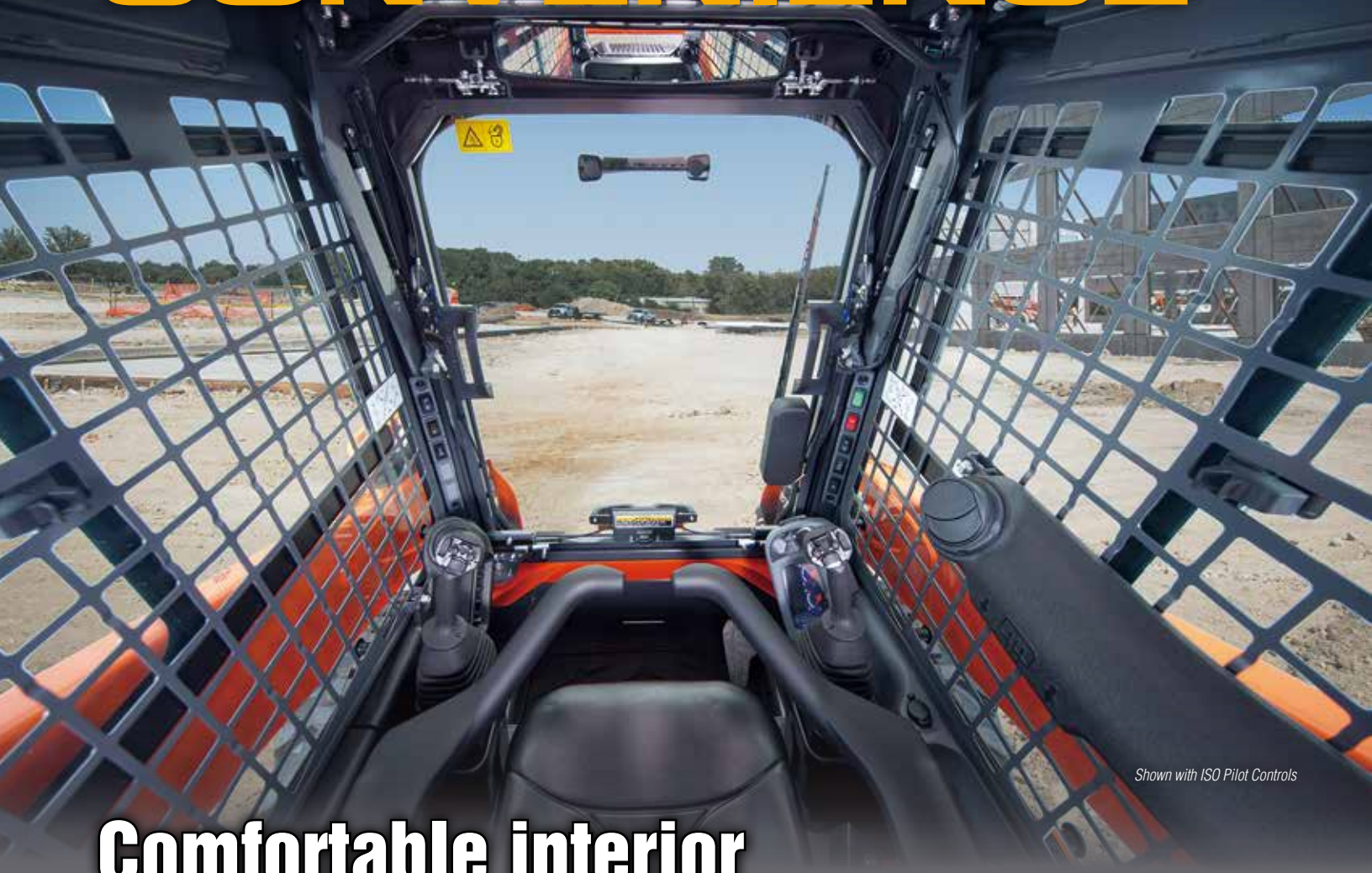
The crack-resistant heavy-duty tires feature a long-wearing tread pattern for superior grip and stability. The sidewalls are wider than the wheel to prevent stones and dirt from becoming wedged between them.

3. High ground clearance

Travel over large obstacles with ease, thanks to the high ground clearance of 7.6 inches (SSV65) or 8.1 inches (SSV75).



EXCEPTIONAL COMFORT AND CONVENIENCE



Shown with ISO Pilot Controls

Comfortable interior

● Excellent 360° visibility

The edges of the bucket can be seen from the seat. Improved visibility means greater safety on the job.

● Ready for radio installation

The SSV-series Factory cab comes prewired with speakers already installed, all that needs to be added is the radio.

● 12V power outlet

A convenient 12V socket can be used for recharging mobile phones and powering other small electronic devices.

● Suspension seat

Wide and supportive, the SSV series' suspension seat will keep you working comfortably for hours.

● Cup holder

A cup holder under the right armrest conveniently holds drinks to quench your thirst while on the job.

● Front Post Switch panels

Switch panels on the front posts provide quick and convenient access to important functions.





Shown with ISO Pilot Controls

● **Rear view mirror**

The wide mirror in the middle of the cabin ensures an excellent view of conditions behind the loader.

● **Ample legroom**

The spacious cabin provides ample legroom to help reduce operator fatigue.



Shown with ISO Pilot Controls

Air conditioning

● **Optimized air conditioning**

Optimized airflow through nine vents provides outstanding cooling and heating comfort throughout the year.

● **Enhanced defrosting and demisting functions**

Ample airflow prevents the windows from fogging up or freezing during the cold months of the year.



EXCEPTIONAL SAFETY AND FUNCTIONALITY

Rugged exterior



Sliding front door

Standard on all closed-cab models and a dealer-installed option on the open-cab models, the tall and wide sliding front door can be opened regardless of the loader position, ensuring quick and easy entry and exit.



● ROPS/FOPS cabin

The OSHA-certified ROPS/FOPS cabin provides protection in the event of accidental rollovers or falling objects.

● Bolt-on replaceable handles

The handles are bolted to the cab to allow for quick and easy replacement in the event they become damaged.

Pressurized Cab

The pressurized cab keeps out dust, flying debris, and insects so that you can work comfortably with fewer distractions. Lower noise levels let you work long hours with minimal fatigue.





● **Sliding side windows**

The front sections of both side windows slide open towards the back of the cab.



● **Side-window grille**

The side-window grilles are installed on the inside to let you easily clean the outer glass surfaces of the windows.



● **Rear lights**

● **Front and side work lights**

● **Turn signals (optional)**

● **Coupler protection**

● **Aux. hydraulic lines routed inside the arm**

● **Cylinder protection plates**



EASY MAINTENANCE

Simple Access



● Routine checks

The rear door opens wide, providing access to all components for daily routine inspection.

- A. Engine oil filler tube
- B. Engine oil dipstick
- C. Battery
- D. Engine oil filter
- E. Diesel fuel filler tube
- F. Air cleaner indicator
- G. Air cleaner
- H. Coolant reserve tank
- I. Water separator
- J. Fuel filter
- K. Door lock

● Easy battery access

The battery is easily accessed without tools.



● Door enclosed fuel tank and easy refill access

No need to open the door. Simply lift a flap for quick and easy refueling.



ANCE

Top-mounted radiator and oil cooler

Conveniently located on the top of the engine compartment, the radiator components are protected from damage from the rear yet within easy reach for cleaning and routine maintenance.



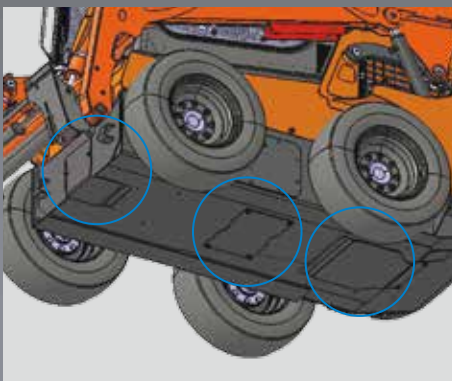
● Tilt-up cabin

The cabin can be tilted 64° without having to lift the arm, allowing easy access to the hydraulic pumps, valves, lines and hydraulic tank.



● Mud-cleaning ports

Three mud-cleaning ports ensure fast and simple removal of mud and debris from the lower part of the machine.



● Easy-clean Floor Mat and Drain Outlet

The soft rubber floor mat is easy to remove and clean. And with the built-in drain outlet, the mat can be washed in the cab.

Shown with ISO Pilot Controls

VERSATILITY

With a wide variety of attachments available*, Kubota skid steer loaders are the most versatile machines on the jobsite.

**Not all attachments are OEM-KUBOTA.*

Bucket



Pallet Fork



Bale Spear



Auger

Angle Broom

Grapple

Power Rake

Rock Bucket

Rotary Cutter

Rotary Tiller

Stump Grinder

Snow Blade

Snow Blower

Snow Pusher

3-Point Hitch

Tree Puller

Hydraulic Coupler

An optional Hydraulic quick coupler is available. You can attach or remove attachments using a switch without leaving the seat.



EQUIPMENT

STANDARD EQUIPMENT

- Open CAB (ROPS/FOPS Level1)
- Top/Rear window
- Type of Control (Hand & Foot control/ISO pilot control)
- Suspension Seat
- 2" Retractable seat belt
- Fold down arm rests
- Dial throttle
- 12V electric outlet
- Radio Ready (Closed Cab only)
- Horn
- Backup alarm
- Work lights (Front 2/Rear 2)
- Side lights
- Bucket Cylinder Guards
- Protection for AUX coupler
- Mechanical quick coupler
- Heavy Duty Tire
SSV65 10-16.5
SSV75 12-16.5

OPTIONAL EQUIPMENT

- High flow hydraulics
- Multifunction lever
- 14 pin coupler for attachments
- Kubota Shockless Ride (KSR)
- Self leveling (on/off)
- Air ride suspension seat
- 3" Retractable seat belt
- Door lock key
- Various buckets and other attachments
- Tire options
- Hydraulic quick coupler
- Hazard Lamp/Turn Signals
- Strobe light
- Beacon light
- Polycarbonate door
- Additional counterweight
- Engine block heater
...and much more.

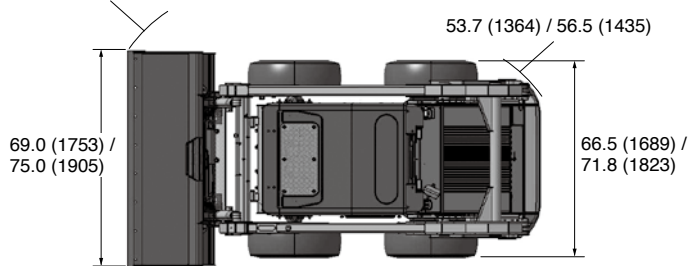
SPECIFICATIONS

Model		SSV65	SSV75		
Type of operator station		Open CAB / Closed CAB	Open CAB / Closed CAB		
Engine	Model	V2607-CR-TE4	V3307-CR-TE4		
	Emission certification	Tier 4	Tier 4		
	Gross HP (SAE J1995)	HP (kW)/rpm	64.0 (47.7)/2700	74.3 (55.4)/2600	
	Net HP (SAE J1349)	HP (kW)/rpm	61.3 (45.7)/2700	71.6 (53.4)/2600	
	Displacement	cu.in. (cc)	159.7 (2615)	203.3 (3331)	
	Cylinders		4	4	
	Bore Stroke	in.(mm)	3.5 (87) × 4.4 (110)	3.8 (94) × 4.8 (120)	
	Aspiration		Turbocharged	Turbocharged	
Loader performance	Rated operating capacity-50% tipping load		lbs. (kg)	1950 (885)	2690 (1220)
	Tipping load		lbs. (kg)	3900 (1770)	5380 (2440)
	Breakout force	Bucket	lb. (kgf)	4839 (2195)	5884 (2669)
		Lift arm	lb. (kgf)	3858 (1750)	4850 (2200)
	Lift arm path			Vertical	Vertical
Power train	Standard tire size			10-16.5-8PR	12-16.5-10PR
	Chain size ASA#			80	100
	Travel speed	Low	mph (km/h)	6.9 (11.1)	7.4 (11.9)
		High	mph (km/h)	11.1 (17.8)	11.8 (19.0)
	Traction force		lb. (kgf)	7339 (3329)	8494 (3853)
	Ground clearance		in. (mm)	7.6 (193)	8.1 (207)
Hydraulic system	Loader hydraulic flow		gpm (ℓ/min.)	18.0 (68.0)	20.9 (79.0)
	Loader hydraulic pressure		psi (kgf/cm²)	3271 (230)	3271 (230)
	Aux. hydraulic flow	Standard	gpm (ℓ/min.)	18.0 (68.0)	20.9 (79.0)
		High	gpm (ℓ/min.)	28.0 (106.0)	30.4 (115.0)
Service refill capacities	Hydraulic tank		gal. (ℓ)	4.2 (16.0)	4.2 (16.0)
	Fuel tank		gal. (ℓ)	25.4 (96.0)	26.9 (102.0)
Operating weight (Include operator weight 175 lbs.)		lbs. (kg)	6790 (3080) / 7055 (3200)	8157 (3700) / 8422 (3820)	

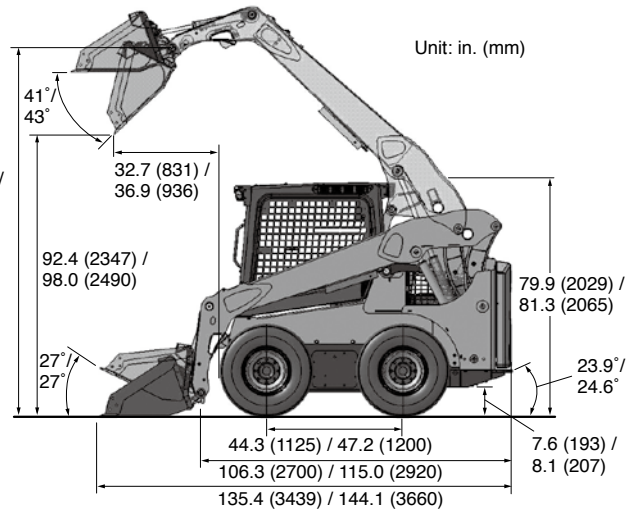
DIMENSIONS

SSV65 / SSV75

92.3 (2345) / 98.5 (2503)



121.5 (3085) / 128.3 (3258)





SVL75-2/SVL95-2



M62

From compact track loaders and excavators to wheel loaders and tractor/loader/backhoes, Kubota offers a wide range of reliable, high-performance construction equipment to get the job done right.



R530/R630



KX040-4

Kubota Tractor Corporation reserves the right to change the stated specifications without notice. This brochure is for descriptive purposes only and reasonable efforts were used to set forth the contained information; some items shown may be optional and some products shown may not be available at all dealerships. Kubota disclaims all representations and warranties, express or implied, or any liability from the use of this brochure. For complete warranty, safety and product information, consult your local Kubota dealer and the operator's manual. Power (HP/KW) and other specifications are based on various standards or recommended practices. For your safety, Kubota strongly recommends the use of a Rollover Protective Structure (ROPS) and seat belt in almost all applications. This brochure is intended for the United States and US territories only. For information regarding Kubota products or services outside these areas, see Kubota Corporation's global web site. Kubota does not provide parts, warranty or service for any Product which is re-sold or retailed in any country other than the country for which the Product(s) were designed or manufactured.

©2016 Kubota Corporation



KUBOTA TRACTOR CORPORATION

Kubota Tractor Corporation, 3401 Del Amo Boulevard, Torrance CA 90503
 Western Division: 1175 S. Guild Ave., Lodi, CA 95240 Tel (209) 334-9910
 Central Division: 14855 FAA Boulevard, Fort Worth, TX 76155 Tel (817) 571-0900
 Northern Division: 6300 at One Kubota Way, Groveport, OH 43125 Tel (614) 835-1100
 Southeast Division: 1025 Northbrook Parkway, Suwanee, GA 30024 Tel (770) 995-8855

Visit our web site at: www.kubota.com

